

# **GSM/GPRS/GPS**

## **GPS Tracker User Manual**

### **Preface**

Thank you for purchasing the tracker. This manual shows how to operate the device smoothly and correctly. Make sure to read this manual carefully before using this product. Please note that specification and information are subject to changes without prior notice in this manual.

Any change will be integrated in the latest release. The manufacturer assumes no responsibility for any errors or omissions in this document.

## ◆ Quick using

1) Open device silicone plug, proper insert GSM card, connect external power supply, **Must turn on small switch near SIM card hole.**

2) Put device outside, around 30s three lights will keep lighting on stands for device can work normally.

3) Dialing device number, it will hang up and reply tracking message with valid Longitude and latitude.

4) If need track online system, send 2 SMS connects to platform as below:

SMS1:#IP#123456#103.44.239.119#8011#

SMS2: #apn#123456#APN of operator#APN user name#APN password#

5) Login platform to track in real time(please contact supplier).

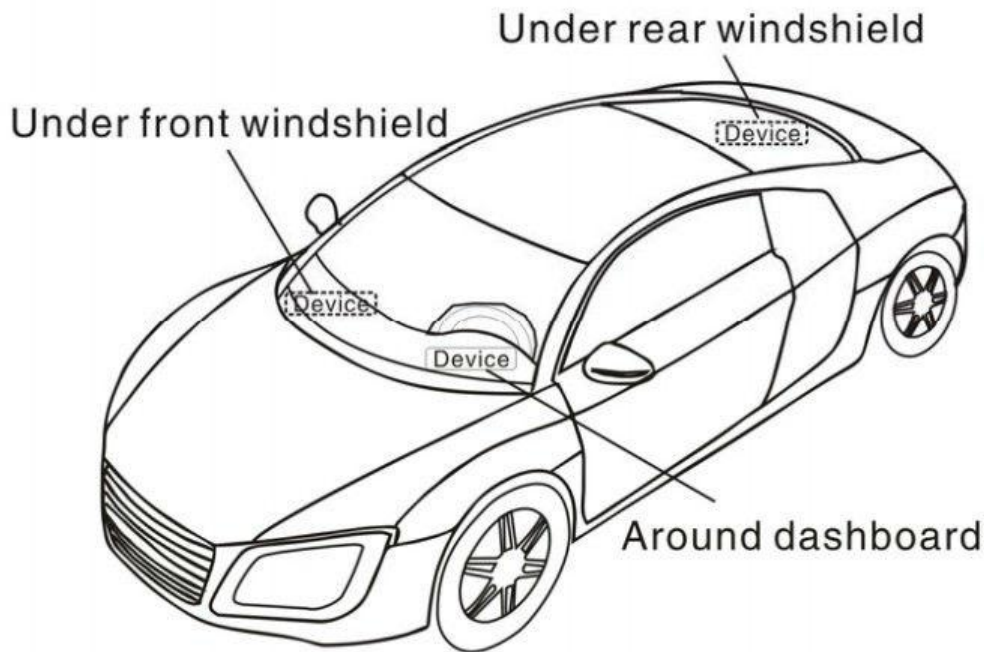
## 1. Specifications

Content	Specs.
Dim.	98mm x 53mm x 15mm
Weight	35g
Network	GSM/GPRS/GPS
Band	850/900/1800/1900 Mhz
GPS chip	U-blox7
GSM module	MTK6261D
GPS sensitivity	-159dBm
GPS accuracy	5m
Time To First Fix	Cold status 45s Warm status 35s Hot status 1s
Work voltage	9V-80V
Storage Temp.	-40°C to +85°C
Operation Temp.	-20°C to +55°C
Humidity	5%--95%

## ◆ Installation attentions

**NOTE: device front side towards the sky.**

When install in car, if the windscreen glued by metal thermal insulation layer or heating layer, it will reduce the GPS receive signal and lead to GPS work disorder.



### Device light description

Light	Represents
yellow	GSM signal normal
blue	GPS signal normal
Red	Power

## 1. Installation instructions

### 1.1 Preparation

1.1.1 Open the package to check the device model number is correct, be with full accessories, or else please contact your supplier;

Choose SIM card, need insert a GSM SIM card into the device, please refer to the suggestion of your supplier for SIM card choice.

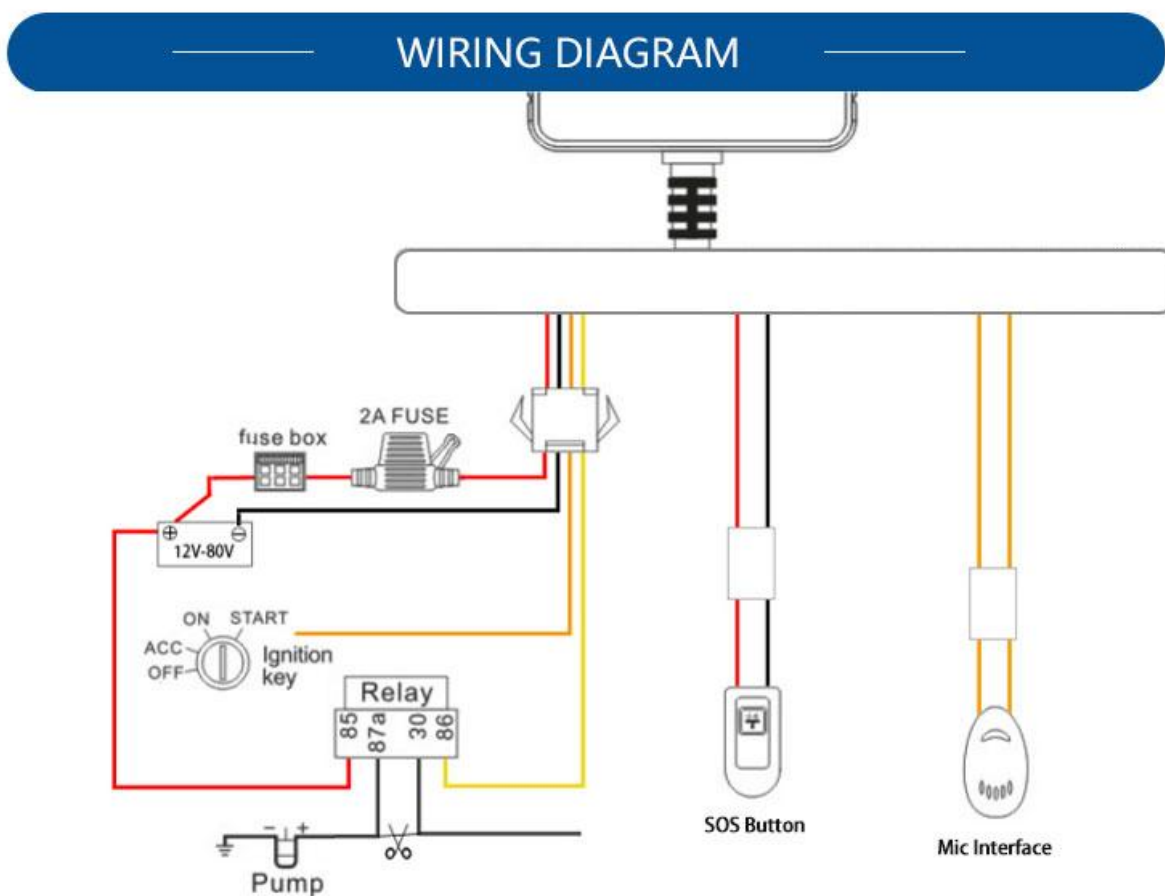
Notice:

**Please insert SIM card before turning the device power switch to on;**

The SIM card need open the GPRS function;

Please make sure SIM card with full balance.

## 2.Device wiring requirements



## ◆ Attentions

### ◆ Device light

- 1) No yellow light: failed to read SIM card, need reinstall SIM card.
- 2) Blue light flash: no GPS signal, make sure device started outside.
- 3) Three lights off: lights entered sleep mode, make a call or move device can wake up.

### ◆ Device failed located

- 1) Failed located: message replied with all 0, make sure device started outside not in room.
- 2) Can't reach the call: make sure SIM card has balance and installed Properly and opened the switch.

### ◆ Device can't track on platform

- 1) Check three lights are stable on.
- 2) Make sure device can work and reply valid tracking long&Lat in SMS.
- 3) Send SMS `#check#123456#` , it will reply you device setting status to check IP,Port,APN etc.

### 3. User Settings

<b>1. Initialization (initialize the settings)</b>		
Text command	Parameter	Example
Command	#super#	#super#
Command Feedback	super ok	

<b>2. Single Locating : Two ways</b>		
1. Dialing tracking	make a call to device number, it will hang up and reply a real-time tracking message.	
2. SMS tracking	Send SMS command, it will reply your location.	
Text command	Parameter	Example
Command	#smslink#password#	#smslink#123456#
Command Feedback	Google link + Speed + Time + Date + IMEI	

<b>3. Authorized number (All alarm messages will be sent to authorized number only)</b>		
Text command	Parameter	Example
Add Authorized number	#admin#123456#phone number#	#admin#123456#18575518750#
Command Feedback	admin ok	

<b>4. Set password</b>		
Text command	Parameter	Example
Command	#password#old password#new password#	#password#123456#666888#
Command Feedback	Password ok	

<b>5.Set data to upload interval</b>		
Text command	Parameter	Example
Command	#at#123456#10~600#	#at#123456#10#
Command Feedback	at ok	
Command description	The data upload interval can be set as you need, 10~600 represents seconds of data uploading interval, default as 10 seconds for real time tracking.	

<b>6.Device reboot</b>		
Text command	Parameter	Example
Command	#reboot#password#	#reboot#123456#
Command Feedback	reboot ok	
Command description	The device will restart within 30 seconds	

<b>7.Set all alarm mode</b>		
Text command	Parameter	Description
Command	#KC#123456#0#	To close alarm function
Command	#KC#123456#1#	Alarm will reply only SMS
Command	#KC#123456#2#	Alarm will reply only call back
Command	#KC#123456#3#	Alarm will reply via SMS and call

<b>8.Timezone Setting</b>		
Text command	Parameter	Example
Command	#timezone#password#direction#time zone value in hours#time zone in minutes#	In UTC-6 example: #timezone#123456#W#6#00# In UTC+5.30 #timezone#123456#E#5#30#
Command Feedback	timezone ok	

<b>9.Check vehicle state</b>		
Text command	Parameter	Example
Command	#check#password#	#check#123456#
Command Feedback	IMEI + Authorized number + Alarm mode + IP + GPS status + Data upload interval status + APN + Time zone + ACC status	

<b>10.Geo-fence</b>		
Text command	Parameter	Example
Command	#stockade#password#meter#	#stockade#123456#300#
Command Feedback	stockade ok	
Command description	send SMS: “#stockade#123456#300#”, “300” represents 300 meters. In case of breach, it will send SMS “stockade alarm + IMEI + Coordinates” to the authorized number.	

<b>11.Overspeed alarm</b>		
Text command	Parameter	Example
Command	#speed#password#speed number in 3 digits#	#speed#123456#060#
Command Feedback	speed ok	
Command description	Sample means When the car moves exceeding 60 km/h, the unit will send SMS alert “speed alarm +imei+ Coordinates ” to the authorized number.	

<b>12.Vibration alarm</b>		
Text command	Parameter	Description
Command	#vibrate#123456#1#	1 means Slight vibration level
Command	#vibrate#123456#2#	2 means medium vibration level
Command	#vibrate#123456#3#	3 means high sensitive level
Command description	When the tracker detect the vibration,it will send “vibrate alarm + IMEI +Google map link” to authorized phone number.	

<b>13.Cut oil or electricity</b>		
Text command	Parameter	Example
Command	#stopoil#password#	#stopoil#123456#
Command Feedback	stop oil ok	
Command	#supplyoil#123456#	#supplyoil#123456#
Command Feedback	supply oil ok	

<b>14.ACC alarm</b>		
Text command	Parameter	Sample
Command	#ACC#Password#1#	#ACC#123456#1#
Command Feedback	acc alarm on	
Command	#ACC#Password#0#	#ACC#123456#0#
Command Feedback	acc alarm off	
Command description	When the device detects the voltage input,it will reply “ACC Alarm+IEMI+Coordinates ” to authorized number	

<b>15.Switch between tracker mode and monitor mode</b>		
Text command	Parameter	Sample
Command	#tracker#password#	#tracker#123456#
Command Feedback	tracker ok	
Command	#monitor#password#	#monitor#123456#
Command Feedback	monitor ok	
Command description	Device has 2 modes, the default mode is “tracker” mode	

<b>16.SOS alarm</b>	
Description	When connect external SOS wire, if press the SOS button 3-4 seconds, device will reply "SOS alarm! +IMEI number+Long&Lat" to authorized number.

<b>17.Power failure alarm</b>	
Description	If device was removed from car battery, device will end SMS “cut power alert! +IMEI number+Long&Lat” to the authorized number.

Web based platform [www.trackerking.net](http://www.trackerking.net) further details please contact manufacturer.

APP: Search: “**Tracker King**” in Google play store or Apple store.

## **1.Setting APN**

1.1 APN standards for Access Point Name and differs from country to country.

For more information about the local APN, inquiry from your local GPRS network operator.

1.2 Send SMS “**#apn#password#APN content#APN user name#APN password#**” via a cell phone and if succeeded, the tracker will return the message “set APN OK”.

E.g. send SMS command “**#apn#123456#cmnet#**”.

Notes: CMNET is the APN content of China Mobile (it has no APN user name and password).

## **2.IP and Port setting**

Send SMS “**#IP#password#ip address#port number#**”. If succeeded, “set ip address and port ok” will be returned by SMS.

E.g, Send SMS command “**#IP# password #103.44.239.119#8011#**” to the device (220.231.203.248 is IP,7700 is port, IP is in capital)

#### **4.Cautions**

**Please comply with the instructions to extend the unit life:**

1. Keep the unit dry. Any liquid, i.e. rain, moisture, may destroy or damage the inside circuitry.
2. Don't use & store the unit in dusty places.
3. Don't put the unit in overheated or overcooled places.
4. Handle carefully. Don't vibrate or shake it violently.
5. Clear the unit with a piece of dry cloth. Don't clean in chemicals, detergent.
6. Don't paint the unit, this may cause some foreign materials left in between the parts.
7. Don't disassemble or refit the unit.
8. Please read the user manual carefully before installation and operation, learn something more about the voltage range. Otherwise, it won't work properly or destroy the product.